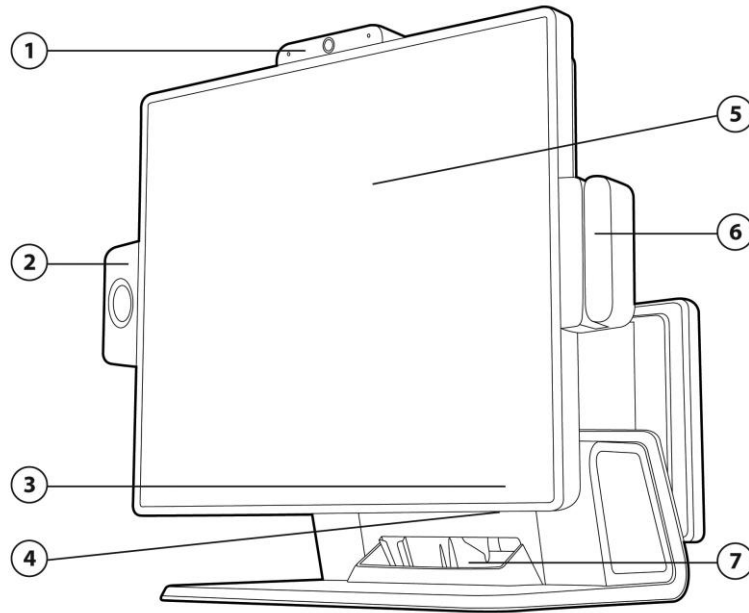


### Overview

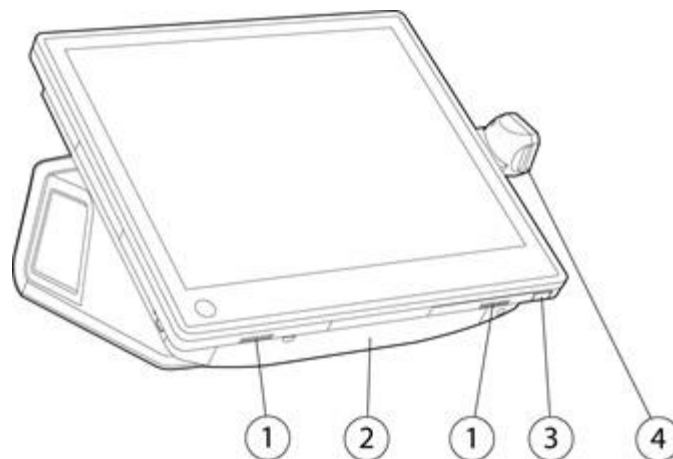
### HP RP7 Retail System, Model 7800

#### FRONT VIEW



- |   |  |
|---|--|
| 1. Optional HP Retail Integrated Webcam             | 5. Touchscreen Assembly                        |
| 2. Optional HP Retail Integrated Fingerprint Reader | 6. Optional HP Retail Integrated Dual-Head MSR |
| 3. On-screen display LED's                          | 7. Cable pass-through channel                  |
| 4. Recessed Power button                            |  |

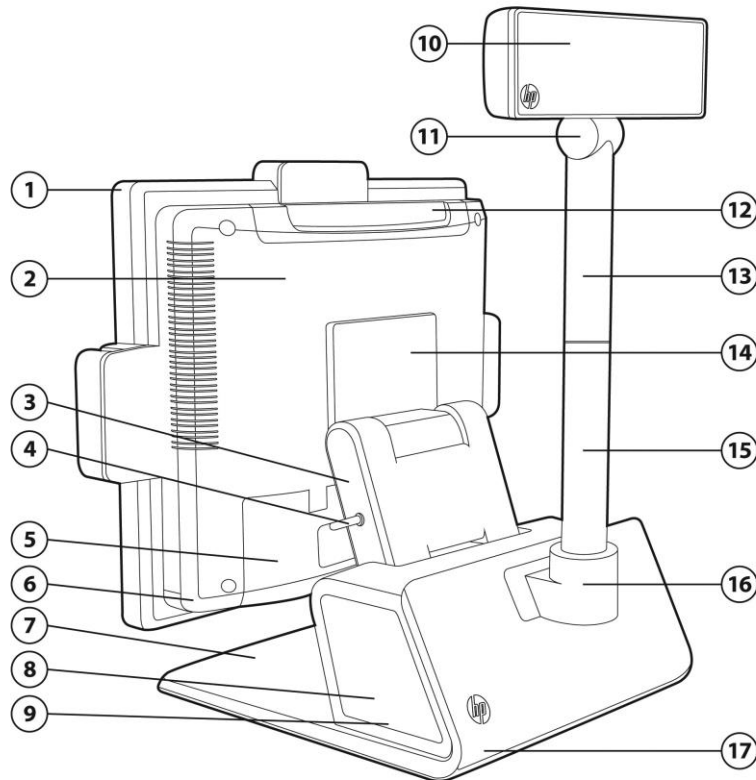
#### VIEW SHOWING SPEAKERS



1. Speakers
2. I/O Panel Cover
3. Recessed Power Button
4. HP Retail Integrated Barcode Scanner

### Overview

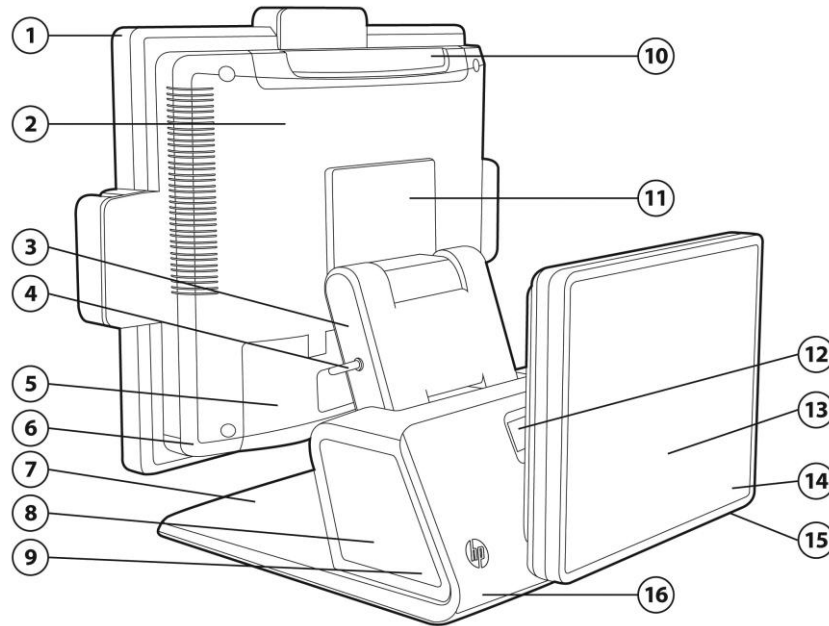
#### HP RP7 Retail System, Model 7800 REAR VIEW WITH 2-LINE DISPLAY - VFD



- |   |                                       |
|---|---------------------------------------|
| 1. Operator display                         | 10. 2-Line VFD                        |
| 2. Rear cover                               | 11. VFD Hinge                         |
| 3. Dual hinge                               | 12. Decorative panel                  |
| 4. Cable-management retainer                | 13. VFD Pole (Section 2)              |
| 5. I/O Cover                                | 14. 100mm VESA Mount (Wall Mountable) |
| 6. Kensington lock & padlock loop           | 15. VFD Pole (Section 1)              |
| 7. Base & keyboard tray                     | 16. VFD Mount                         |
| 8. Power supply cover (sealed brick inside) | 17. Decorative panel                  |
| 9. "Bolt-to-counter" feature                |                                       |

### Overview

#### HP RP7 Retail System, Model 7800 REAR VIEW WITH CUSTOMER-FACING DISPLAY



- |                                   |  |
|-----------------------------------|--|
| 1. Operator display               | 10. Decorative panel                     |
| 2. Rear cover                     | 11. 100 mm VESA mount (wall mountable)   |
| 3. Dual hinge                     | 12. Customer-facing display hinge        |
| 4. Cable-management retainer      | 13. Customer-facing 10.4" display        |
| 5. I/O cover                      | 14. On-screen display LED's              |
| 6. Kensington lock & padlock loop | 15. Customer-facing display power button |
| 7. Base & keyboard tray           | 16. Decorative panel                     |
| 8. Power supply cover             |  |
| 9. "Bolt-to-counter" feature      |  |

### Overview

#### At A Glance

- Designed for long-term deployment within retail and hospitality markets
- Choice of operator display:
  - 15" 5-Wire Resistive Touchscreen
  - 15" Flush-Glass, Projected Capacitive Touchscreen
  - 17" Flush-Glass, Projected Capacitive Touchscreen
- Processor choices:
  - Intel® Core™ i5-2400S (2.50 GHz, 4 cores) featuring Intel® vPro™ Technology and Intel® HD Graphics 2000
  - Intel® Core™ i3-2120 (3.30 GHz, 2 cores) with Intel® HD Graphics 2000
  - Intel® Pentium® G850 (2.90 GHz, 2 cores) with Intel® HD Graphics
  - Intel® Celeron® G540 (2.50 GHz, 2 cores) with Intel® HD Graphics
- Operating System choices (pre-installed):
  - Windows Embedded 8.1 Industry Pro Retail 64-bit\*
  - Windows 8.1 Pro 64-bit\*
  - Windows 7 Professional (32-bit or 64-bit)\*
  - Windows 7 Professional (32-bit or 64-bit - Available through downgrade rights from Windows 8.1 Professional)\*
  - Windows Embedded POSReady 7 (32-bit or 64-bit)
  - Windows Embedded POSReady 2009
  - FreeDOS 2.0
  - Novell® SUSE Linux Enterprise Desktop† (Certified)
- Integrated peripheral options (can also be purchased and installed separately):
  - HP Retail Integrated Dual-Head MSR
  - HP Retail Integrated Fingerprint Reader
  - HP Retail Integrated Webcam
  - HP Retail Integrated Barcode Scanner
  - Customer-facing 2 line VFD (Vacuum Fluorescent Display)
  - Customer-facing 10.4" LDS Display
- Industry-standard 100mm VESA mounting pattern allows for flexible use without the optional stand
- 2 DDR3 Memory Slots (16 GB Maximum)
- Gigabit NIC
- Trusted Platform Module (TPM)
- Hard Drive and Solid-State Drive Options
- RAID level 0,1 capable
- Cable Management Features
- ENERGY STAR® qualified, EU Compliant, RoHS2 Compliant
- 87% energy efficient power supply (enclosed in stand)
- HP Limited Warranty, 3/3/3 standard: 3 years parts, 3 years labor, and 3 years on-site services

\*This system is preinstalled with Windows 7 Pro software and also comes with a license and media for [Windows 8.1 Pro software](#). You may only use one version of the Windows software at a time. Switching between versions will require you to uninstall one version and install the other version. You must back up all data (files, photos, etc.) before uninstalling and installing operating systems to avoid loss of your data.

### Technical Specifications

#### OPERATING SYSTEM

##### Preinstalled

Windows 10 (32-bit or 64-bit)\*\*

Windows IoT (32-bit or 64-bit)\*\*

Microsoft Windows Embedded 8.1 Industry Pro Retail (64-bit)\*

Microsoft Windows 8.1 Pro (64-bit)\*

Windows 7 Professional (32-bit or 64-bit) available through downgrade rights from Windows 8.1 Professional\*

Windows 7 Professional (32-bit or 64-bit)\*

Windows Embedded POSReady 7 (32-bit or 64-bit)

Windows Embedded POSReady 2009

FreeDOS 2.0

##### Certified

Novell SUSE Linux Enterprise Desktop†

\*This system is preinstalled with Windows 7 Pro software and also comes with a license and media for [Windows 8.1 Pro software](#). You may only use one version of the Windows software at a time. Switching between versions will require you to uninstall one version and install the other version. You must back up all data (files, photos, etc.) before uninstalling and installing operating systems to avoid loss of your data.

\*\* Not all features are available in all editions or versions of Windows. Systems may require upgraded and/or separately purchased hardware, drivers, software or BIOS update to take full advantage of Windows functionality. Windows 10 is automatically updated, which is always enabled. ISP fees may apply and additional requirements may apply over time for updates. See <http://www.microsoft.com>.

#### PROCESSORS

Intel® Core™ i5-2400S (2.50 GHz, 6 MB cache, 4 cores) featuring Intel® vPro Technology and Intel® HD Graphics 2000

Intel® Core™ i3-2120 (3.30 GHz, 3 MB cache, 2 cores) with Intel® HD Graphics 2000

Intel® Pentium® G850 with Intel® HD Graphics (2.90 GHz, 3 MB cache, 2 cores)

Intel® Celeron® G540 with Intel® HD Graphics (2.50 GHz, 2 MB cache, 2 cores)

#### INTEL® VPRO™ TECHNOLOGY

HP RP7 Retail Systems featuring this technology include processors that are part of the Intel® Stable Image Platform Program (SIPP) designed to ensure the stability promise inherent in the value proposition of the HP RP7 Retail System.

**Intel Advanced Management Technology (AMT) v7.0** - An advanced set of remote management features and functionality which provides network administrators the latest and most effective tools to remotely discover, heal, and protect networked client systems regardless of the system's health or power state. AMT 7.0 includes the following advanced management functions:

- Power Management (on, off, reset)
- Hardware Inventory (includes BIOS and firmware revisions)
- Hardware Alerting
- Agent Presence
- System Defense Filters

### Technical Specifications

- SOL/IDER
- Cisco NAC/SDN Support
- ME Wake-on-LAN
- DASH 1.1 compliance
- IPv6 Support
- Fast Call for Help - a client inside or outside the firewall may initiate a call for help via BIOS screen, periodic connections, or alert triggered connection
- Remote Scheduled Maintenance - pre-schedule when the HP RP7 Retail System connects to the IT or service provider console for maintenance. Remote HP RP7 Retail Systems can get required patches, be inventoried, etc by connecting to their IT console or Service Provider when it's convenient
- Remote Alerts - automatically alert IT or service provider if issues arise
- Access Monitor - Provides oversight into Intel® AMT actions to support security requirements
- Alarm Clock
- Microsoft NAP Support
- Host Base set-up and configuration
- Management Engine (ME) firmware roll back
- Wireless AMT functionality on Point of Sale/Desktop (WoDT)
- Enhanced KVM technology

---

### CHIPSET

Intel® Q67 Express

---

### GRAPHICS

Intel HD Graphics Basic and 2000 (integrated)

---

### OPERATOR DISPLAY

#### 15" Resistive Operator Display

|                           |                                       |
|---------------------------|---------------------------------------|
| Touch Technology          | 5-wire Resistive                      |
| Resolution                | 1024 x 768                            |
| Aspect Ratio              | 4:3                                   |
| Max Color                 | 16.7M                                 |
| Contrast Ratio            | 700:1                                 |
| Brightness                | 350 cd/m <sup>2</sup>                 |
| Pixel Pitch               | 0.297mm x 0.297mm                     |
| Viewing Angle             | 160° horizontally and 140° vertically |
| Response rate             | 25ms on/off                           |
| Default Color Temperature | 6500 K                                |
| Anti-Glare Hardness       | >8H                                   |
| Color Gamut               | 52%                                   |
| Backlight                 | LED                                   |

#### 15" Projective Capacitive Operator Display

### Technical Specifications

|                           |                                       |
|---------------------------|---------------------------------------|
| Touch Technology          | Flush-Glass Projected Capacitive      |
| Resolution                | 1024 x 768                            |
| Aspect Ratio              | 4:3                                   |
| Max Color                 | 16.7M                                 |
| Contrast Ratio            | 700:1                                 |
| Brightness                | 350 cd/m <sup>2</sup>                 |
| Pixel Pitch               | 0.297mm x 0.927mm                     |
| Viewing Angle             | 160° horizontally and 140° vertically |
| Response rate             | 25ms on/off                           |
| Default Color Temperature | 6500° K                               |
| Anti-Glare Hardness       | >8H                                   |
| Color Gamut               | 52%                                   |
| Backlight                 | LED                                   |

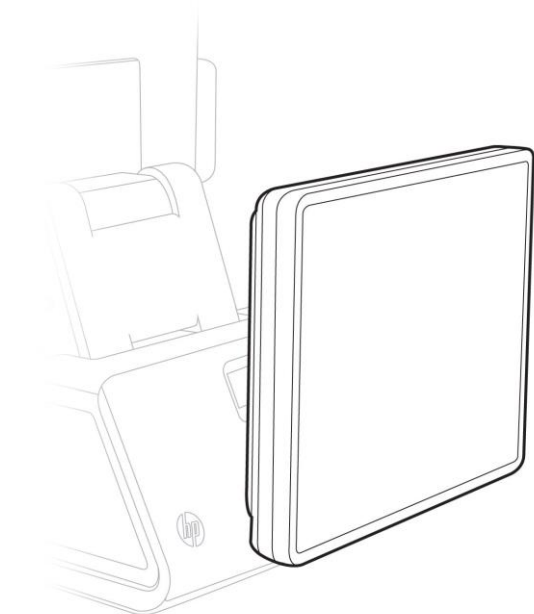
#### **17" Projective Capacitive Operator Display**

|                           |                                       |
|---------------------------|---------------------------------------|
| Touch Technology          | Flush-Glass Projected Capacitive      |
| Resolution                | 1280 x 1024                           |
| Aspect Ratio              | 5:4                                   |
| Max Color                 | 16.7M                                 |
| Contrast Ratio            | 800:1                                 |
| Brightness                | 225 cd/m <sup>2</sup>                 |
| Pixel Pitch               | 0.264mm x 0.264mm                     |
| Viewing Angle             | 170° horizontally and 160° vertically |
| Response rate             | 20m on/off                            |
| Default Color Temperature | 6500 K                                |
| Anti-Glare Hardness       | >8H                                   |
| Color Gamut               | 68%                                   |
| Backlight                 | LED                                   |

### INTEGRATED PERIPHERAL OPTIONS

#### **HP RP7 10.4-inch Customer Facing Display Option**

### Technical Specifications



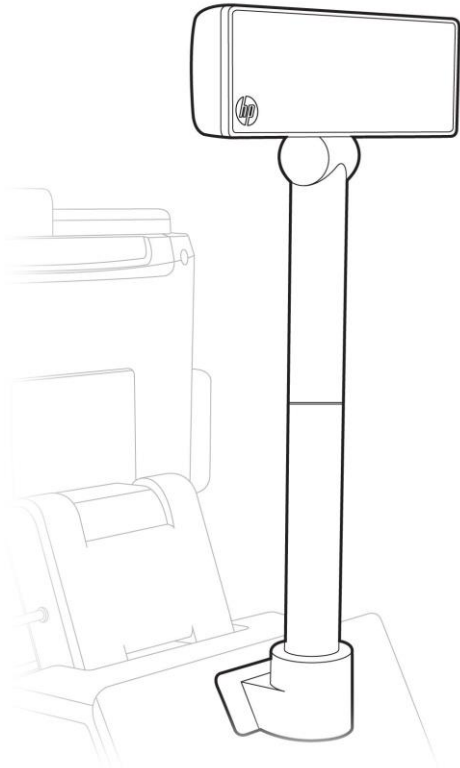
#### **QZ702AA/BOT22AV**

|                              |  |
|------------------------------|--|
| Touch Technology             | Not supported  |
| Resolution                   | 1024 x 768   |
| Aspect Ratio                 | 4:3  |
| Max Color                    | 16.2M  |
| Contrast Ratio               | 1000:1   |
| Brightness                   | 300 cd/m <sup>2</sup>  |
| Pixel Pitch                  | 0.0685(H) x 0.2055(V)  |
| Viewing Angle (of LCD Panel) | 176° horizontally and 176° vertically                            |
| Tilt Adjustment (of display) | -5deg to + 45deg   |
| Response rate                | 25ms (rise+fall time)  |
| Default Color Temperature    | 6500° K  |
| Anti-Glare Hardness          | >8H  |
| Color Gamut                  | 57%  |
| Backlight                    | LED  |
| Video Interface              | DVI-I  |
| Dimensions                   | 25.4 x 4.1 x 20.8 (head unit only)                               |
| Weight                       | 1.2kg (head unit only)   |
| Power                        | DC (powered from a DC-Out port on the RP7 terminal)              |
| Audio                        | Integrated speakers (connected through line-out on RP7 terminal) |



### Technical Specifications

#### HP RP7 2-Line (2x20) VFD Customer Display Option



#### QZ701AA

|                      |   |
|----------------------|---|
| Display Type         | Vacuum Fluorescent Display, Blue Green  |
| Brightness           | 350 - 700 cd/m <sup>2</sup>   |
| Character Number     | 2 x 20  |
| Character Support    | Complex Characters and Graphics   |
| Character Font       | 20 x 2 for 16 x 16 font<br>10 x 1 for 32 x 32 font<br>320 x 32 for graphics   |
| Character Size       | 5.5(W) x 10.5(H) mm   |
| Emulation Modes      | ICD-2002, EPSON POS D101, Aedex, UTC/S, UTC/P, ADM788, DSP800, CD5220   |
| Supported Code Pages | Bosnian (852), Croatian (852), Czech (1252), Danish (1252), Dutch (1252), English (US) (437), Estonian (1257), Faroese (1252), Finnish (1252), Flemish (1252), French (1252), German (1252), Greek (1253), Hebrew (1255), Hungarian (852), Icelandic (1252), Indonesian (1252), International English (1252), Italian (1252), Japanese (Shift-JIS), Latvian (1257), Lithuanian (1257), Norwegian (865), Polish (852), Slavonic/Russian (866), Slovak (852), Slovene (852), Spanish (1252), Swedish (1252), Thai (874) |
| Horizontal Rotation  | 180°  |
| Height Adjustment    | (through two included pole extension options)   |

### Technical Specifications

|                               |   |
|-------------------------------|---|
| Tilt Adjustment               | -5° to 60°                                  |
| Interface/Connection          | USB+PWR 12V (connects to the RP7 I/O panel) |
| Mechanical Dimensions (LxWxH) | 226 x 40.05 x 72 mm                         |
| Power Voltage (typical)       | 12V nominal                                 |
| Drivers                       | OPOS, JPOS                                  |

---

### HP RP7 Adjustable Stand

QZ703AA/B0T02AV

Stand can be pre-configured with the HP RP7 Retail System or purchased and installed separately. The stand connects to the terminal through an industry-standard 100mm VESA pattern and conceals the sealed power supply for the RP7. The dual-hinge mechanism allows for a broad range of user adjustability and allows the terminal to be used in an upright or a low-profile, reclining position. The built-in cable-management features provide for a clean terminal installation and bolt-down capabilities allow the terminal to be secured to the counter.

---

### HP RP7 Value Stand

E3A13AV/ E5E14AA

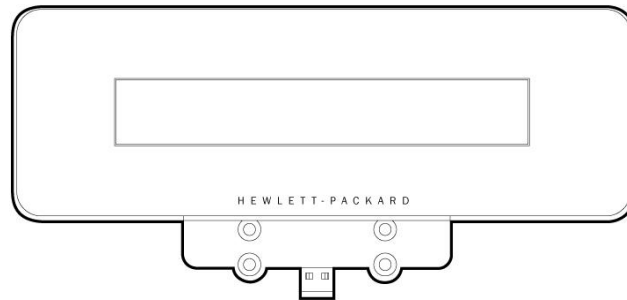
A budget-friendly stand that's ideal for tight spaces. The single-hinge fixed height design delivers -5° to +30° adjustable tilt range for easy positioning. With a smaller footprint than the performance stand, it fits easily into small work environments such as kiosks, corners, and tight hospitality countertops and sits neatly on top of HP RPOS Cash Drawers. A printer and keyboard can be positioned on the stand along with the HP RP7 for a tidy solution that maximizes the available space.

---

### Technical Specifications

#### HP Retail Integrated 2x20 Display

G6U79AA/ G7G29AA



#### General

|                                 |   |
|---------------------------------|---|
| <b>Display Type</b>             | LCD, backlit LED  |
| <b>Brightness</b>               | 370 cd/m2   |
| <b>Character number</b>         | Non Complex model: 40 (20 columns x 2 lines)<br>Complex model: 96 x 360 dots (20 columns x 2 lines)   |
| <b>Character font</b>           | Non-Complex model: 5x7 dot matrix<br>Complex model 16 x 16 dot matrix   |
| <b>Character color</b>          | Blue  |
| <b>Dot size (X x Y)</b>         | .31mm x .31mm   |
| <b>Dot pitch (X x Y)</b>        | .35mm x .35mm   |
| <b>Viewing angle`</b>           | Max 90 degrees  |
| <b>Supported character sets</b> | Non-complex model:<br>850+Euro sign (858)<br>Bosnian (852)<br>Bulgaria (1251)<br>Croatian (852)<br>Czech (1250)<br>Danish (1252)<br>Dutch (1252)<br>English (US) (437)<br>Estonian (1257)<br>Faroese (1252)<br>Finnish (1252)<br>Flemish (1252)<br>French (1252)<br>French-Canadian (863)<br>German (1252)<br>Greek (1253)<br>Hebrew (1255)<br>Hungarian (852)<br>Icelandic (1252)<br>Indonesian (1252) |

### Technical Specifications

International English (1252)  
 Irish (1252)  
 Italian (1252)  
 Latvian (1257)  
 Lithuanian (1257)  
 Nordic (865)  
 Norwegian (1252)  
 Polish (852)  
 Portuguese (1252)  
 Romanian (852)  
 Slavonic/Russian (866)  
 Slovak (852)  
 Slovene (852)  
 Spanish (1252)  
 Swedish (1252)

Complex display model also supports:  
 Arabic (1256)  
 Japan (Shift-JIS)  
 Korean (949)  
 Simplified Chinese (936)  
 Thai (874)  
 Traditional Chinese (950)

#### Command modes

Epson  
 UTC/S  
 UTC/P  
 AEDEX  
 AMD788  
 DSP800  
 CD5220  
 EMAX  
 Logic Control  
 LDS540

#### Mechanical

#### Dimensions (LxWxD)

220 x 75 x 40mm (not including the USB attachments bracket)

#### Weight

0.334KG

#### Adjustability

Tilt Range of Motion - 179°

#### Color

HP Black

#### Interface/Connection

#### Interface

USB

#### Power

#### Operating Voltage

5V

#### Full load current

150mA  
 Complex model 240mA

#### Idle current

140mA  
 Complex model 230mA

#### Temperature Range

#### Operating

50° to 104° F (10 to 40° C) at 20% to 85% humidity (non-

### Technical Specifications

---

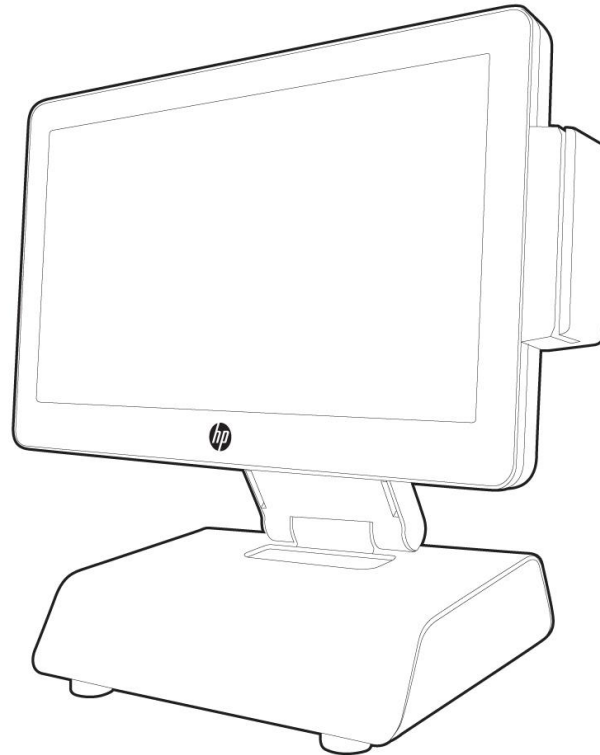
|                                       |   |  |
|---------------------------------------|---|--|
|                                       |   | condensing at ambient)   |
|                                       | <b>Non-operating</b>  | -22° to 149° F (-30° to 65° C) at 5% to 90% humidity (non-condensing at ambient) |
| <b>Drivers</b>                        | <b>Windows</b>  |  |
| <b>Operating System Compatibility</b> | <ul style="list-style-type: none"><li>• Windows 10 (32-bit or 64-bit)</li><li>• Windows 10 IoT (32-bit or 64-bit)</li><li>• Windows Industry 8/8.1 (32-bit or 64-bit)</li><li>• Windows 8/8.1 Professional (32-bit or 64-bit)</li><li>• Windows 7 Professional (32-bit or 64-bit)</li><li>• Windows Embedded POSReady 7 (32-bit or 64-bit)</li><li>• Windows Embedded POSReady 2009</li><li>• Windows XP Professional</li></ul> |  |
| <b>Option Kit Contents</b>            | HP Retail Integrated 2x20 Display, HP Point of Sale System Software and Documentation CD  |  |

---

### Technical Specifications

#### HP Integrated Single-Head MSR

J1A33AA/J1A34AA



|  |  |  |
|--|--|--|
| <b>General</b>                             | <b>Magnetic stripe formats</b>   | ISO 7811, AAMVA                              |
|  | <b>Card thickness</b>  | 0.38 to 1.14 mm (0.015 to 0.045 in)          |
|  | <b>Indicators</b>  | Colored LED, beeper                          |
| <b>Mechanical</b>                          | <b>Dimensions (LxWxH)</b>  | 63.5 x 43.18 x 99.06 mm (2.5 x 1.7 x 3.9 in) |
|  | <b>Weight</b>  | 0.087kg (0.19lb)                             |
|  | <b>Slot width</b>  | 1.143 mm (0.045 in)                          |
|  | <b>Color</b>   | HP Carbonite                                 |
| <b>Interface/Connection</b>                | <b>Interface</b>   | USB 2.0                                      |
|  | <b>Connection</b>  | Type A                                       |
| <b>Power</b>                               | <b>Voltage (typical)</b>   | 5 VDC +/- 10%, 50mV ripple max               |
|  | <b>Current consumption (typical)</b>   | 40mA max                                     |
| <b>Drivers</b>                             | Windows native, OPOS, JPOS   |  |
| <b>Operating Systems (compatible with)</b> | Windows 8.1 Professional (32-bit or 64-bit)<br>Windows Industry 8.1 (32-bit or 64-bit) |  |

### Technical Specifications

Windows 7 Professional (32-bit or 64-bit)  
 Windows Embedded POSReady 7 (32-bit or 64-bit)  
 Windows Embedded POSReady 2009

**Reliability**

1,000,000 card swipes minimum

**Agency Certifications**

FCC Class A, UL, CE, CISPR22, VCCI, WEEE, WHQL, USB-IF, RoHS

**Option kit contents**

HP Retail Integrated Single Head MSR , Documentation CD and the Options Warranty Manual

**HP Retail Integrated Dual-Head MSR**

**QZ673AA/B0T12AV**

**General**

**Magnetic stripe formats** ISO 7811(JIS I), AAMVA

**Card thickness** 0.015 to 0.045 in (0.38 to 1.14 mm)

**Indicators** Audio

**Mechanical**

**Dimensions (LxWxH)** 3.94in x 3.06in x 1.34in (99.98mm x 77.8mm x 34mm)

**Weight** 4.06 oz (115g)

**Slot width** 0.45 in (0.114 cm)

**Color** HP Black

**Interface/ Connection**

**Interface** USB 2.0

**Connection** Type A

**Power**

**Voltage (typical)** 5.0V +/- 5% supplied by USB, 50mV ripple max

**Current consumption (typical)** 40mA max

**Drivers**

Windows Native, OPOS, JPOS

**Operating Systems**

**Compatibility**

Windows 8.1 Pro 64-bit  
 Windows Embedded 8.1 Industry Pro Retail 64-bit  
 Windows 7 Professional (32-bit or 64-bit)  
 Windows 7 Professional 64-bit  
 Windows Embedded POSReady 2009  
 Windows Embedded POSReady 7 (32-bit or 64-bit)

**Option Kit Contents**

HP Retail Integrated Dual-Head MSR, HP Point of Sale System Software and Documentation CD.

### Technical Specifications

#### HP Retail Integrated Fingerprint Reader

##### QZ672AA/BOT13AV

|                              |                                    |  |
|------------------------------|------------------------------------|--|
| <b>General</b>               | <b>Scan Data</b>                   | 8-bit grayscale (256 levels of gray)   |
|                              | <b>Pixel resolution</b>            | 512 dpi (average x,y over the scan area)   |
|                              | <b>Scan capture area</b>           | 14.6 mm (nom. width at center) 18.1 mm (nom. length)   |
| <b>Mechanical</b>            | <b>Dimensions (L x W x H)</b>      | 3.94in x 3.06in x 1.34in (99.98mm x 77.8mm x 34mm)   |
|                              | <b>Weight</b>                      | 3.39 oz (96 g)   |
|                              | <b>Color</b>                       | HP Black   |
| <b>Interface/ Connection</b> | <b>Interface</b>                   | USB 2.0  |
| <b>Power</b>                 | <b>Supply Voltage</b>              | 5.0V ±5% supplied by USB   |
|                              | <b>Supply Current scanning</b>     | < 100 mA (Typical)   |
|                              | <b>Supply Current idle mode 1</b>  | 20 mA (Typical)  |
|                              | <b>Supply Current-suspend mode</b> | < 0.5 mA (Maximum)   |
| <b>Environmental</b>         | <b>Temperature</b>                 | Operating 0 - 40 C   |
|                              | <b>Humidity</b>                    | Operating 20% - 80% non-condensing   |
| <b>Drivers</b>               |                                    | Windows Native   |
| <b>Operating Systems</b>     | <b>Compatibility</b>               | Windows 8.1 Pro 64-bit<br>Windows Embedded 8.1 Industry Pro Retail 64-bit<br>Windows 7 Professional (32-bit or 64-bit)<br>Windows 7 Professional 64-bit<br>Windows Embedded POSReady 2009<br>Windows Embedded POSReady 7 32-bit or 64-bit) |
| <b>Option Kit Contents</b>   |                                    | HP Retail Integrated Fingerprint Reader, HP Point of Sale System Software and Documentation CD.  |

#### HP Retail Integrated Webcam

##### QZ700AA/BOT03AV

|                |                       |   |
|----------------|-----------------------|---|
| <b>General</b> | <b>CMOS Sensor</b>    | OV9726  |
|                | <b>Resolution</b>     | HD: 1280x720  |
|                | <b>Image Control</b>  | Automatic Exposure, Automatic White Balance, Automatic Gain |
|                | <b>Field of View</b>  | 74.9°   |
|                | <b>Focus Distance</b> | 19.69 in (500 mm)   |
|                | <b>Focus Range</b>    | 20.5cm ~ infinity   |
|                | <b>Microphone</b>     | Yes (2, Stereo)   |



### Technical Specifications

|                              |                                      |  |
|------------------------------|--------------------------------------|--|
| <b>Mechanical</b>            | <b>Dimensions (LxWxH)</b>            | 3.94in x 1.77in x 1.34in (100mm x 44.9mm x 34mm)   |
|                              | <b>Weight</b>                        | 2.05 oz (58g)  |
|                              | <b>Color</b>                         | HP Black   |
| <b>Interface/ Connection</b> | <b>Interface</b>                     | USB 2.0  |
| <b>Power</b>                 | <b>Voltage (typical)</b>             | 3.3V (5V to 3.3V conversion board inside Webcam module to make it USB compatible)  |
|                              | <b>Current consumption (typical)</b> | 150mA  |
| <b>Drivers</b>               |                                      | Windows Native   |
| <b>Operating Systems</b>     | <b>Compatibility</b>                 | Windows 8.1 Pro 64-bit<br>Windows Embedded 8.1 Industry Pro Retail 64-bit<br>Windows 7 Professional (32-bit or 64-bit)<br>Windows Embedded POSReady 2009<br>Windows Embedded POSReady 7 (32-bit or 64-bit) |

**Option Kit Contents** HP Retail Integrated Webcam, HP Installation Guide.

### HP Retail Integrated Barcode Scanner E1L07AA/E6N62AV (Installed by customer or reseller)

|                       |                             |   |
|-----------------------|-----------------------------|---|
| <b>General</b>        | <b>Indicators</b>           | Audible and visual read indicators  |
|                       | <b>Scan direction</b>       | Omni-directional  |
| <b>Symbologies</b>    | <b>1D / Linear Codes</b>    | Autodiscriminates all standard 1D codes including GS1 DataBar™ linear codes.  |
|                       | <b>2D Codes</b>             | Aztec Code; China Han Xin Code; Data Matrix; MaxiCode; Micro QR Code; QR Code   |
|                       | <b>Postal codes</b>         | Australian Post; British Post; China Post; IMB; Japanese Post; KIX Post; Korea Post; Planet Code; Postnet; Royal Mail Code (RM4SCC) |
|                       | <b>Stacked codes</b>        | EAN/JAN Composites; GS1 DataBar Composites; GS1 DataBar Expanded Stacked; GS1 DataBar Stacked; GS1 DataBar Stacked Omnidirect       |
| <b>Depth of field</b> | <b>Code 39: 5 mils</b>      | 4.7 to 17.7 cm (1.8 to 7.0 in)  |
|                       | <b>Code 39: 10 mils</b>     | 1.7 to 33.2 cm (0.7 to 13.1 in)   |
|                       | <b>Data Matrix: 10 mils</b> | 2.7 to 17.1 cm (1.0 to 6.7 in)  |
|                       | <b>Data Matrix: 15 mils</b> | 1.2 to 24.6 cm (0.5 to 9.7 in)  |
|                       | <b>EAN: 13 mils</b>         | 2.5 to 41.9 cm (1.0 to 16.5 in)   |
|                       | <b>PDF417: 10 mils</b>      | 2.2 to 23.9 cm (0.9 to 9.4 in)  |
|                       | <b>QR Code: 10 mils</b>     | 3.5 to 16.0 cm (1.4 to 6.3 in)  |
| <b>Mechanical</b>     | <b>Dimensions (LxWxH)</b>   | 4.63 x 3.94 x 2.09 in   |
|                       | <b>Weight</b>               | 6.1 ounces (172g) (approximately)   |
|                       | <b>Adjustability</b>        | ±120°(side to side), ±1.5°<br>+90°/-5°(down/up), ±1.5°  |

### Technical Specifications

|                              |                                      |   |
|------------------------------|--------------------------------------|---|
|                              | <b>Color</b>                         | HP Black  |
| <b>Interface/ Connection</b> | <b>Interface</b>                     | USB 2.0   |
|                              | <b>Connection</b>                    | Type A  |
| <b>Power</b>                 | <b>Voltage (typical)</b>             | 5.0V +/- 5% supplied by USB                     |
|                              | <b>Current consumption (typical)</b> | <180mA  |
|                              | <b>Drivers</b>                       | Windows Native, OPOS, JPOS                      |
| <b>Operating Systems</b>     | <b>Compatibility</b>                 | Windows 8.1 Pro 64-bit                          |
|                              |                                      | Windows Embedded 8.1 Industry Pro Retail 64-bit |
|                              |                                      | Windows 8 Professional (32 or 64-bit)*          |
|                              |                                      | Windows 8 Professional 32-bit*                  |
|                              |                                      | Windows 7 Professional (32-bit or 64-bit)**     |
|                              |                                      | Windows Embedded POSReady 2009                  |
|                              |                                      | Windows Embedded POSReady 7 (32-bit or 64-bit)  |

\*Not all features are available in all editions of Windows 8. Systems may require upgraded and/or separately purchased hardware, drivers and/or software to take full advantage of Windows 8 functionality. See <http://www.microsoft.com>.

\*\*Not all features are available in all editions of Windows 7. This system may require upgraded and/or separately purchased hardware to take full advantage of Windows® 7 functionality. See <http://www.microsoft.com/windows/windows-7/> for details.

**Options Kit Contents** HP Retail Integrated Barcode Scanner, HP Point of Sale System Software and Documentation CD. Drivers for the HP Retail Integrated Barcode Scanner are on <http://www.hp.com>, listed under the RP7 Model 7100, RP7 model 7800, HP L6015tm monitor, and HP L6017tm monitors.

**Notes** HP recommends that you only install a scanner in the bottom USB port if the RP7 is attached a Value Stand or has no stand. If the scanner is attached to the bottom USB port on the Performance Stand, the scanner can get damaged if the stand is placed in the low profile position.

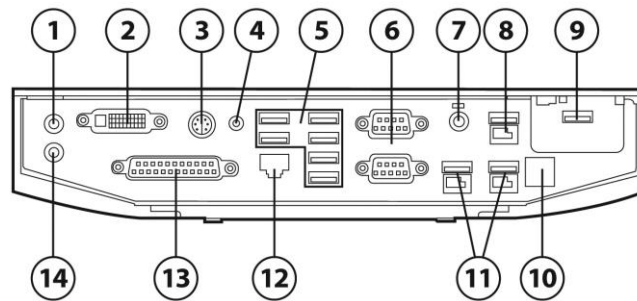
### Technical Specifications

#### I/O PORTS - CONNECTIVITY

- 6 USB 2.0
- 2 USB+PWR 12V (1 available if HP RP7 2-line (2x20) VFD Customer Display is installed)
- 1 USB+PWR 24V (Printer)
- 1 USB in lockable compartment (Security screw provided and housed in I/O cover. Requires a T-15 tamper-resistant torx security screwdriver)
- 1 RJ-12 Cash Drawer (supports dual drawers via optional splitter cable)
- 2 RS-232 Powered configurable (+5V/+12V, F-10 Setup Configurable)
- 1 Parallel
- 1 PS/2 (supports keyboard or mouse, both through a splitter)
- 1 DVI-I for Secondary Display (not available if HP RP7 10.4-inch CFD is installed)
- 1 RJ-45 10/100/1000 LAN
- 1 Audio line-in
- 1 Audio line-out (not available if HP RP7 10.4-inch CFD (Customer Facing Display) is installed and audio is connected)
- 1 DC-in (for power supply)
- 1 DC-out (for HP RP7 10.4-inch CFD only)
- 4 connectors for select HP integrated peripherals

#### HP RP7 Retail System, Model 7800

##### I/O PANEL



- |   |   |
|---|---|
| 1. 1 Audio line-in  | 8. 1 USB+PWR 24V  |
| 2. 1 DVI-I for Secondary Display (not available if HP RP7 10.4-inch CFD is installed) | 9. 1 USB in lockable compartment (Security screw provided and housed in I/O cover. Requires a T-15 tamper-resistant torx security screwdriver.) |
| 3. 1 PS/2 (supports keyboard or mouse, both through a splitter)                       | 10. 1 RJ-12 Cash Drawer (supports dual drawers via optional splitter cable)   |
| 4. 1 DC-out (for HP RP7 10.4-inch CFD only)   | 11. 2 USB+PWR 12V (1 available if HP RP7 VFD Customer Display is installed)   |
| 5. 6 USB 2.0  | 12. 1 RJ-45 10/100/1000 LAN   |
| 6. 2 RS-232 Powered (+5V/+12V, F-10 Setup Configurable)                               | 13. 1 Parallel  |
| 7. 1 DC-in (for power supply)   | 14. 1 Audio line-out (not available if HP RP7 10.4-inch CFD is installed and audio is connected)  |

### Technical Specifications

#### STORAGE

**Size**

2.5"

**Drive Bays**

2 (See below for RAID capabilities)

**OPTIONS:****SATA Hard Drives**

500GB 7200 RPM SATA ,3.0 Gb/s 2.5"

320 GB 7200 RPM SATA 3.0 Gb/s, 2.5"

**Solid State Drives**

32 GB SSD, 2.5" (RAID not supported)

64 GB SSD, 2.5" (RAID not supported)

128 GB SSD, 2.5"

256 GB SSD, 2.5"

128 GB SATA 2.5 3D SSD

256 GB SATA 2.5 3D SSD

\* **NOTE:** 32 GB SATA SSD drive will be available to ship only with FreeDOS. This drive will no longer be available after November 30th, 2015.

#### REDUNDANT ARRAY OF INDEPENDENT DRIVES (RAID)

Flexible implementation:

- DriveLock is supported while in RAID mode. Users can manage the DriveLock password from within F10 Setup. Locked drives will be displayed as such in the RAID option ROM interface.
- Hard drive information can be viewed within F10 Setup while in RAID mode. Previously, the hard drives will not appear in Drive Configuration when switching to RAID mode.
- DPS Self Test can be executed on physical hard drives while in RAID mode.
- The RAID Setup Utility (accessed through CTRL-I) can be protected by the F10 Setup password.

**NOTE:** RAID 1 is the only RAID configuration offered via factory configurations. RAID is not supported on the 32GB SSD or the 64GB SSD. The pre-configured systems:

- Are complete RAID systems and have both drives installed.
- Have the necessary Option ROM configuration.
- Are pre-loaded and pre-installed with all required Intel software.
- Include a preinstalled operating system that is mirrored mode out of the box.

Please refer to the HP White Paper titled "Advanced Host Controller Interface (AHCI) and Redundant Array of Independent Disks (RAID) on HP Compaq PCs" at: <http://www.hp.com> for more information and instructions.

### Technical Specifications

#### MEMORY

**Type**

Non-ECC, DDR3 SDRAM, 1333 MHz, SODIMM

**(NOTE: 1600 MHz memory may ship on rp7 but the memory will not run at 1600MHz. It will clock down to 1333MHz)**

**Maximum**

16 GB

**# of Slots**

2

**NOTE:** Full availability of 4 GB or more of memory requires a 64-bit operating system. With Windows 32-bit operating systems, the amount of usable memory is dependent upon your configuration, so that above 3 GB all memory may not be available due to system resource requirements.

#### MEMORY UPGRADES

Memory upgrades are accomplished by adding single or multiple DIMMs of the same or varied sizes. This chart does not represent all possible memory configurations. The HP RP7 Retail System supports non-ECC DDR3 PC3-10600 (1333 MHz) and PC3-8500 (1066 MHz) memory.

**CAUTION:** You must shut down the Retail System and disconnect the power cord before adding or removing memory modules. Regardless of the power-on state, voltage is always supplied to the memory modules as long as the Retail System is plugged in to an active AC outlet. Adding or removing memory modules while voltage is present may cause irreparable damage to the memory modules or system board.

#### MEMORY CONFIGURATIONS

| Slot  | 1    | 2    |
|-------|------|------|
| 1 GB  | 1 GB |      |
| 2 GB  | 1 GB | 1 GB |
| 4 GB  | 2 GB | 2 GB |
| 8 GB  | 4 GB | 4 GB |
| 16 GB | 8 GB | 8 GB |

#### SOFTWARE

**HP Client Management Solutions** (available for free download from [hp.com/go/easydeploy](http://hp.com/go/easydeploy))

HP SoftPaq Download Manager

HP Client Catalog for Microsoft SMS

HP Systems Software Manager

HP Client Automation Starter

### Technical Specifications

#### NETWORK CONNECTIVITY

Integrated Intel® 82579LM Gigabit Ethernet Network Connection

Optional Wireless LAN: Intel 6205 802.11 a/b/g/n 6205 Mini PCIe NIC, Intel 7260 802.11 a/b/g/n PCIe x1 NIC

**NOTE:** Intel 6205 802.11 a/b/g/n 6205 Mini PCIe NIC is only available for POSReady 2009 and FreeDOS (Not allowed in Indonesia); Intel 7260 802.11 a/b/g/n PCIe x1 NIC is not allowed with POSReady2009 or FreeDOS (Not allowed in Indonesia)

##### Intel® 82579LM GbE Network Connection (integrated)

|                              |  |
|------------------------------|--|
| <b>Connector</b>             | RJ-45  |
| <b>Controller</b>            | Intel 82579LM gigabit platform LAN connect networking controller   |
| <b>Memory</b>                | 24 KB FIFO packet buffer memory  |
| <b>Data rates supported</b>  | 10/100/1000 Mbps   |
| <b>Compliance</b>            | IEEE 802.1P, 802.1Q, 802.2, 802.3, 802.3 ab and 802.3u compliant, 802.3az  |
| <b>Bus architecture</b>      | PCIe and SMBus   |
| <b>Data transfer mode</b>    | PCIe-based interface for active state operation (S0 state) and SMBus for host and management traffic (Sx low power state)  |
| <b>Data rates supported</b>  | 10/100/1000 Mbps   |
| <b>ACBS</b>                  | Intel Auto Connect Battery Saving feature  |
| <b>Power Saving Features</b> | Auto Connect Battery Saver (ACBS)<br>Automatic Link Downshift<br>Low Power Link Up (LPLU)  |
| <b>Boot ROM support</b>      | Yes  |
| <b>Network transfer mode</b> | Full-duplex<br>Half-duplex (not supported for the 1000BASE-T transceiver)  |
| <b>Network transfer rate</b> | 10BASE-T (half-duplex) 10 Mbps<br>10BASE-T (full-duplex) 20 Mbps<br>100BASE-TX (half-duplex) 100 Mbps<br>100BASE-TX (full-duplex) 200 Mbps<br>1000BASE-T (full-duplex) 2000 Mbps |
| <b>Management</b>            | WOL, auto MDI crossover, PXE, Multi-port teaming, RSS, Advanced cable diagnostic.  |
| <b>Alerting</b>              | ASF 2.0 support, AMT 6.0 support   |

#### AUDIO/MULTIMEDIA

Rear-line input (supports microphone or line input), lineout

All ports are 3.5mm in diameter

High Definition Audio with Realtek ALC221 codec (all ports are stereo)

SRS Premium Sound audio management technology

Multi-streaming capable\*

Dual Internal Speakers (standard)

\* Audio input ports are re-taskable as a Line-in or Microphone-in port. External speakers must be powered externally. Multi-streaming can be enabled in the Realtek control panel to allow independent audio streams to be sent to/from the

### Technical Specifications

front and rear jacks. This allows for different audio applications to use separate audio ports on the system. For example, the front jacks could be used with a headset for a communications application while the rear jacks are being used with external speakers and a multimedia application.

### POWER

|                                       |  |
|---------------------------------------|--|
| <b>Power Supply</b>                   | 180W External power supply, 87% Efficiency, Active PFC<br><i>*This power supply meets ENERGY STAR compliance in conjunction with a select range of processors and modules.</i> |
| <b>Operating Voltage Range</b>        | 90 to 264 VAC  |
| <b>Rated Voltage Range</b>            | 100 to 240VAC  |
| <b>Rated Line Frequency</b>           | 50/60 Hz   |
| <b>Operating Line Frequency Range</b> | 47 - 63 Hz   |
| <b>Rated Input Current</b>            | <2.9A<br>AVG Efficiency 87% (calculated by testing at 20/50/75/100% load)  |
| <b>Power Supply Fan</b>               | None   |
| <b>ENERGY STAR® Compliant</b>         | ENERGY STAR® compliant   |
| <b>Power Cord Length</b>              | 6.0ft (1.83m)  |
| <b>Current Leakage (NFPA99)</b>       | < 275 µA   |

### WEIGHTS & DIMENSIONS

**NOTE:** Weight and dimensions below do not include MSR, Biometric Reader, Webcam, VFD, or CFD.

|                                   |   |
|-----------------------------------|---|
| <b>Weight</b>                     | <b>With stand – 15" Display Option</b>              |
|                                   | 12.31 kg/27.37 lbs                                  |
|                                   | <b>With stand– 17" Display Option</b>               |
|                                   | 13.03 kg/28.96 lbs                                  |
| <b>Dimensions<br/>(W x D x H)</b> | <b>Without stand – 15" Display Option</b>           |
|                                   | 6.25 kg/13.78 lbs                                   |
|                                   | <b>Without stand – 17" Display Option</b>           |
|                                   | 7 kg/15.43 lbs                                      |
| <b>Dimensions<br/>(W x D x H)</b> | <b>With stand – 15" Display Option</b>              |
|                                   | 36.6 x 42.4 x 33.58 cm<br>14.41 x 16.7 x 13.22 in   |
|                                   | <b>With stand – 17" Display Option</b>              |
|                                   | 38.6 x 43.07 x 34.72 cm<br>15.19 x 16.95 x 13.67 in |
| <b>Dimensions<br/>(W x D x H)</b> | <b>Without stand – 15" Display Option</b>           |
|                                   | 36.6 x 8.94 x 31.3 cm                               |

### Technical Specifications

14.41 x 3.52 x 14.41 in

#### Box Dimensions

##### Without stand – 17" Display Option

57.9 x 26.9 x 48 cm  
22.80 x 10.59 x 18.86 in

##### With Stand

55.09 x 49.9 x 52.3 cm  
21.69 x 19.65 x 20.59 in

#### Shipping Weight

##### Without Stand

54.2 x 48.5 x 16.9 cm  
21.34 x 19.09 x 6.65 in

##### With Stand – 15"

Min weight 16.71 kg  
Max weight 19.17 kg

##### With Stand–17"

Min weight 17.25 kg  
Max weight 19.72 kg

##### Without Stand – 15"

Min weight 8.32 kg  
Max weight 8.59 kg

##### Without Stand – 17"

Min weight 9.15 kg  
Max weight 9.15 kg

(For shipping weigh the minimum weight with no peripherals and 1 HDD, Maximum weight with CFD, webcam, Biometric reader, MSR reader, and 2 HDD's)

### TEMPERATURE, HUMIDITY, ALTITUDE

|                                    |               |                                |
|------------------------------------|---------------|--------------------------------|
| <b>Temperature</b>                 | Operating     | 50° to 104° F (10 to 40° C)    |
|                                    | Non-operating | -22° to 149° F (-30° to 65° C) |
| <b>Relative humidity</b>           | Operating     | 20 to 85%                      |
|                                    | Non-operating | 20 to 85%                      |
| <b>Altitude</b><br>(unpressurized) | Operating     | 0 to 10,000 ft (3,048 m)       |
|                                    | Non-operating | 0 to 30,000 ft (9,144 m)       |



### Environmental

#### ENVIRONMENTAL & INDUSTRY

##### Environmental Eco-Label Certifications & Declarations

**Data** This product has received or is in the process of being certified to the following approvals and may be labeled with one or more of these marks:

- IT ECO declaration
- US ENERGY STAR®
- EPEAT Gold registered in the United States. See <http://www.epeat.net> for registration status in your country.

| Energy Consumption                 | 115 VAC | 230 VAC | 100 VAC |
|------------------------------------|---------|---------|---------|
| Normal Operation (Short idle)      | 40.68 W | 39.98 W | 40.02 W |
| Normal Operation (Long idle)       | 25.42 W | 26.07 W | 25.77 W |
| Sleep (Energy Star low power mode) | 3.64 W  | 3.45 W  | 3.73 W  |
| Off                                | 1.29 W  | 1.29 W  | 1.33 W  |

**NOTE:** Energy efficiency data listed is for an ENERGY STAR® compliant product if offered within the model family. HP computers marked with the ENERGY STAR® Logo are compliant with the applicable U.S. Environmental Protection Agency (EPA) ENERGY STAR® specifications for computers. If a model family does not offer ENERGY STAR® compliant configurations, then energy efficiency data listed is for a typically configured model.

| Heat Dissipation                   | 115 VAC    | 230 VAC    | 100 VAC    |
|------------------------------------|------------|------------|------------|
| Normal Operation (Short idle)      | 139 BTU/hr | 137 BTU/hr | 137 BTU/hr |
| Normal Operation (Long idle)       | 87 BTU/hr  | 89 BTU/hr  | 88 BTU/hr  |
| Sleep (Energy Star low power mode) | 12 BTU/hr  | 12 BTU/hr  | 13 BTU/hr  |
| Off                                | 4 BTU/hr   | 4 BTU/hr   | 5 BTU/hr   |

**\*NOTE:** Heat dissipation is calculated based on the measured watts, assuming the service level is attained for one hour.

##### Declared Noise Emissions

(in accordance with ISO 7779 and ISO 9296)

(Typically configured)

|                            | Sound Power<br>( $L_{WA,d}$ , bels) | Sound Pressure<br>( $L_{pAm}$ , decibels) |
|----------------------------|-------------------------------------|---|
| Idle                       | 3.2                                 | 23  |
| Fixed Disk (random writes) | 3.2                                 | 23  |

##### Longevity and Upgrading

This product can be upgraded, possibly extending its useful life by several years. Upgradeable features and/or components contained in the product may include:

- 6 USB ports
- 2 memory slots
- 1 Mini PCIe half-length slot
- 1 MXM 3.0 Type A - 35W slot
- 1 mSATA slot
- 1 2.5" internal bay supporting up to Two 2.5" hard drives (HDD/SSD/SED/SSHD)

### Environmental

- 1 5.25" external supporting optical drive

Spare parts are available throughout the warranty period and or for up to "5" years after the end of production.

#### Batteries

This battery(s) in this product comply with EU Directive 2006/66/EC

Batteries used in the product do not contain:

- Mercury greater the 5ppm by weight
- Cadmium greater than 10ppm by weight

Battery size: CR2032 (coin cell)

Battery type: Lithium

#### Additional information

- This product is in compliance with the Restrictions of Hazardous Substances (RoHS) directive - 2011/65/EC.
- This HP product is designed to comply with the Waste Electrical and Electronic Equipment (WEEE) Directive – 2002/96/EC.
- This product is in compliance with California Proposition 65 (State of California; Safe Drinking Water and Toxic Enforcement Act of 1986).
- This product is in compliance with the IEEE 1680 (EPEAT) standard at the < gold > level, see [www.epeat.net](http://www.epeat.net)
- Plastics parts weighing over 25 grams used in the product are marked per ISO11469 and ISO1043.
- This product contains 26.3% post-consumer recycled plastic (by wt.)
- This product is 96.2% recycle-able when properly disposed of at end of life.

#### Packaging Materials

|                  |                                     |          |
|------------------|-------------------------------------|----------|
| <b>Internal:</b> | Paper/Corrugated                    | 2862.3 g |
| <b>External</b>  | PLASTIC/EPE (Expanded Polyethylene) | 1745 g   |
|                  | PLASTIC/Polyethylene high density   | 42.2 g   |

The plastic packaging material contains at least 1.8 % recycled content.

The corrugated paper packaging materials contains at least 24 % recycled content.

#### Material Usage

This product does not contain any of the following substances in excess of regulatory limits (refer to the HP General Specification for the Environment at <http://www.hp.com/hpinfo/globalcitizenship/environment/pdf/gse.pdf>):

- Asbestos
- Certain Azo Colorants
- Certain Brominated Flame Retardants – may not be used as flame retardants in plastics
- Cadmium
- Chlorinated Hydrocarbons
- Chlorinated Paraffins
- Formaldehyde
- Halogenated Diphenyl Methanes
- Lead carbonates and sulfates

### Environmental

- Lead and Lead compounds
- Mercuric Oxide Batteries
- Nickel – finishes must not be used on the external surface designed to be frequently handled or carried by the user.
- Ozone Depleting Substances
- Polybrominated Biphenyls (PBBs)
- Polybrominated Biphenyl Ethers (PBBEs)
- Polybrominated Biphenyl Oxides (PBBOs)
- Polychlorinated Biphenyl (PCB)
- Polychlorinated Terphenyls (PCT)
- Polyvinyl Chloride (PVC) – except for wires and cables, and certain retail packaging has been voluntarily removed from most applications.
- Radioactive Substances
- Tributyl Tin (TBT), Triphenyl Tin (TPT), Tributyl Tin Oxide (TBTO)

#### **Packaging Usage**

HP follows these guidelines to decrease the environmental impact of product packaging:

- Eliminate the use of heavy metals such as lead, chromium, mercury and cadmium in packaging materials.
- Eliminate the use of ozone-depleting substances (ODS) in packaging materials.
- Design packaging materials for ease of disassembly.
- Maximize the use of post-consumer recycled content materials in packaging materials.
- Use readily recyclable packaging materials such as paper and corrugated materials.
- Reduce size and weight of packages to improve transportation fuel efficiency.
- Plastic packaging materials are marked according to ISO 11469 and DIN 6120 standards.

#### **End-of-life Management and Recycling**

Hewlett-Packard offers end-of-life HP product return and recycling programs in many geographic areas. To recycle your product, please go to: <http://www.hp.com/go/reuse-recycle> or contact your nearest HP sales office. Products returned to HP will be recycled, recovered or disposed of in a responsible manner.

The EU WEEE directive (2002/95/EC) requires manufacturers to provide treatment information for each product type for use by treatment facilities. This information (product disassembly instructions) is posted on the Hewlett Packard web site at: <http://www.hp.com/go/recyclers>. These instructions may be used by recyclers and other WEEE treatment facilities as well as HP OEM customers who integrate and re-sell HP equipment.

#### **Hewlett-Packard Corporate Environmental Information**

For more information about HP's commitment to the environment:

Global Citizenship Report

<http://www.hp.com/hpinfo/globalcitizenship/gcreport/index.html>

### Environmental

#### Eco-label certifications

<http://www8.hp.com/us/en/hp-information/environment/ecolabels.html>

#### ISO 14001 certificates:

[http://www.hp.com/hpinfo/globalcitizenship/environment/pdf/PC\\_GBU\\_Product\\_Design\\_ISO\\_14K\\_Certificate.pdf](http://www.hp.com/hpinfo/globalcitizenship/environment/pdf/PC_GBU_Product_Design_ISO_14K_Certificate.pdf)

and

<http://www.hp.com/hpinfo/globalcitizenship/environment/pdf/cert.pdf>

---

### Service and Support

#### **SERVICE AND SUPPORT**

On-site Warranty<sup>Note 1</sup>: Limited warranty delivers on-site, next business-day<sup>Note 2</sup> service for parts and labor and includes free telephone support<sup>Note 3</sup> 24 x 7. The warranty terms vary by region and onsite and labor are not available in all countries. Depending on region and warranty terms, extended service offers terms up to 3 years by choosing a Carepack. To choose the right level of extended service for your HP product, visit HP Care Pack Central: <http://www.hp.com/go/cpc>

**NOTE 1:** Terms and conditions may vary by country. Certain restrictions and exclusions apply. Other warranty variations may be offered in your region.

**NOTE 2:** On-site service may be provided pursuant to a service contract between HP and an authorized HP third-party provider, and is not available in certain countries. Global service response times are based on commercially reasonable best effort and may vary by country.

**NOTE 3:** Technical telephone support applies only to HP-configured Compaq and third-party HP-qualified hardware and software. Toll-free calling and 24 x 7 support may not be available in some countries.

---

### Options and Accessories (sold separately)

#### **OPTIONS AND ACCESSORIES (sold separately)**

##### **Input Devices**

|   | <b>Part Number</b> |
|---|--------------------|
| HP RP7 2x20 VFD Customer Display                | QZ701AA            |
| HP Integrated 2x20 Display                      | G6U79AA            |
| HP RP7 10.4 inch CFD Display                    | QZ702AA            |
| HP 7" LCD Customer Display                      | F7A92AA            |
| HP Retail Integrated Dual-Head MSR              | QZ673AA            |
| HP Retail Integrated Fingerprint Reader         | QZ672AA            |
| HP RP7 Integrated MSR (Single Head)             | K1K15AA            |
| HP Integrated Single-Head MSR w/o SRED          | J1A33AA            |
| HP Integrated Single-Head MSR SRED              | J1A34AA            |
| HP Retail Integrated Webcam                     | QZ700AA            |
| HP Retail Integrated Barcode Scanner            | E1L07AA            |
| HP POS Keyboard without MSR (AMS Region Only)   | FK221AA            |
| HP POS Keyboard with MSR                        | FK218AA            |
| HP PS/2 Standard Keyboard                       | DT527A             |
| HP USB Standard Keyboard                        | DT528A             |
| HP USB Mini Keyboard                            | AS601AA            |
| HP USB Washable Keyboard                        | BM866AA            |
| HP USB and PS/2 Washable Keyboard and Mouse Kit | BU207AA            |
| HP PS/2 Optical Mouse                           | EY703AA            |
| HP USB Optical Mouse                            | DC172B             |
| HP USB Laser Mouse                              | GW405AA            |

##### **Security**

|                                     |         |
|-------------------------------------|---------|
| HP/Kensington MicroSaver Cable Lock | PC766A  |
| HP Business PC Security Lock        | PV606AA |
| HP Keyed Lock Cable                 | BV411AA |

##### **Barcode Scanners**

|                                      |         |
|--------------------------------------|---------|
| HP Imaging Barcode Scanner           | BW868AA |
| HP Linear Barcode Scanner            | QY405AA |
| HP Presentation Barcode Scanner      | QY439AA |
| HP Retail Integrated Barcode Scanner | E1L07AA |
| HP 2D Value Wireless Scanner AMO kit | K3L28AA |

##### **Cash drawers**

|                           |         |
|---------------------------|---------|
| HP Heavy Duty Cash Drawer | FK182AA |
|---------------------------|---------|

### Options and Accessories (sold separately)

|  |         |
|--|---------|
| HP Standard Duty Cash Drawer                           | QT457AA |
| HP Standard Duty Till with Locking Cover               | QT458AA |
| HP Flip-Top Cash Drawer (EMEA Region Only)             | BW867AA |
| HP Flip-Top Till with Locking Cover (EMEA Region Only) | BZ335AA |
| HP Cable Pack for Dual Cash Drawers                    | QT538AA |

### Printers

|   |         |
|---|---------|
| HP Powered USB Thermal Receipt Printer          | FK224AA |
| HP Serial/USB Thermal Receipt Printer           | BM476AA |
| HP Hybrid Printer with MICR                     | FK184AA |
| HP USB Y Cable (for Serial USB/Receipt Printer) | BM477AA |

### System Memory

|                      |         |
|----------------------|---------|
| 2GB DDR3-1600 SODIMM | B4U38AA |
| 4GB DDR3-1600 SODIMM | B4U39AA |
| 8GB DDR3-1600 SODIMM | B4U40AA |

### Storage

|                          |         |
|--------------------------|---------|
| 128GB SATA 2.5 SSD       | QV063AA |
| 320 GB 7200 SATA 2.5 HDD | D1S10AA |

### MSR

|             |         |
|-------------|---------|
| HP Mini-MSR | FK186AA |
|-------------|---------|

### Displays

|   |         |
|---|---------|
| HP Retail Integrated 7-inch CFD           | F7A92AA |
| HP Retail Integrated 2x20 Display         | G6U79AA |
| HP Retail Integrated 2x20 Display Complex | G7G29AA |
| HP LCD Pole Display                       | F7A93AA |
| HP POS Pole Display                       | FK225AA |
| HP Graphical POS Pole Display             | QZ704AA |

### Stands

|                         |                  |
|-------------------------|------------------|
| HP RP7 Adjustable Stand | B0T02AV/ QZ703AA |
| HP RP7 Value Stand      | E3A13AV/ E5E14AA |

### Summary of Changes

| Date of change:  | Version History:          |         | Description of change:  |
|------------------|---------------------------|---------|---|
|                  | From v1 to v2             |         |   |
| May 20, 2014     | v16, February to V17, May | Changed | ENERGY STAR wording, Pubnumber  |
|                  |                           | Added   | Environmental Data  |
| Sept 29, 2014    | From v17 to v18           | Added   | HP Integrated 2x20 Display 2x20 and HP Retail Integrated Single-Head MSR to Integrated Peripheral Options |
| December 5, 2014 | From v18 to v 19          | Added   | Part numbers for Options and Accessories section  |
|                  |                           | Changed | Title display in pages 7-9  |
|                  |                           | Removed | Optional Stand A1X79AA part number  |
| October 8, 2015  | From v19 to v20           | Added   | 32GB SSD availability note; HP PCIe x1 Parallel Port Card in AMO section                                  |
| April 20, 2016   | From v20 to v21           | Added   | Added 128, 256 SATA 3D SSD Drives   |
|                  |                           | Changed | Re-formatted pages a bit to make easier to read. Updated trademarks.                                      |



Copyright © 2016 HP Development Company, L.P

All rights reserved. Microsoft and Windows are either registered trademarks or trademarks of Microsoft Corporation in the United States and/or other countries. Intel, Core, Celeron, and Pentium are registered trademarks or trademarks of Intel Corporation in the U.S. and/or other countries. ENERGY STAR is a registered mark owned by the U.S. government. All other product names mentioned herein may be trademarks of their respective companies. Linux® is the registered trademark of Linus Torvalds in the U.S. and other countries.

The information contained herein is subject to change without notice and is provided "as is" without warranty of any kind. The warranties for HP products are set forth in the express limited warranty statements accompanying such products. Nothing herein should be construed as constituting an additional warranty. HP shall not be liable for technical or editorial errors or omissions contained herein.